

EL REVERSE LAMP

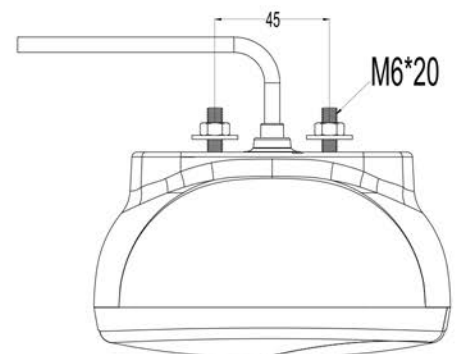
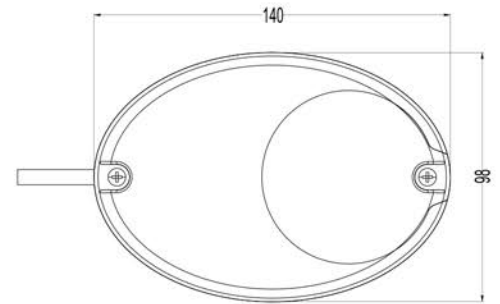
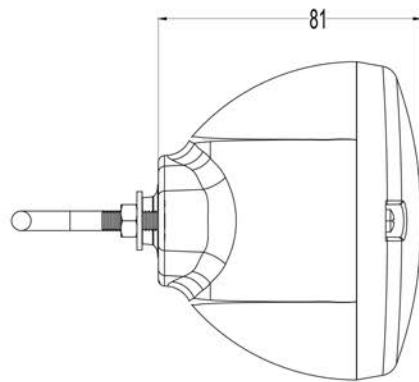


Features

- All of the SERKO components patented
- 1 Function: Reverse Lamp
- %100 testes before delivery
- Energy consumption ~25w



PARTS	PARTS NAME	PARTS NO
	EL REVERSE LAMP	0001.3930.XXX



BULB		LENS	
12 V 21 W	0001.2027.000	Clear	0001.0126.001